

**International Application Number:**  
PCT/PH2007/000005

**Title:**  
**An Article of Furniture**

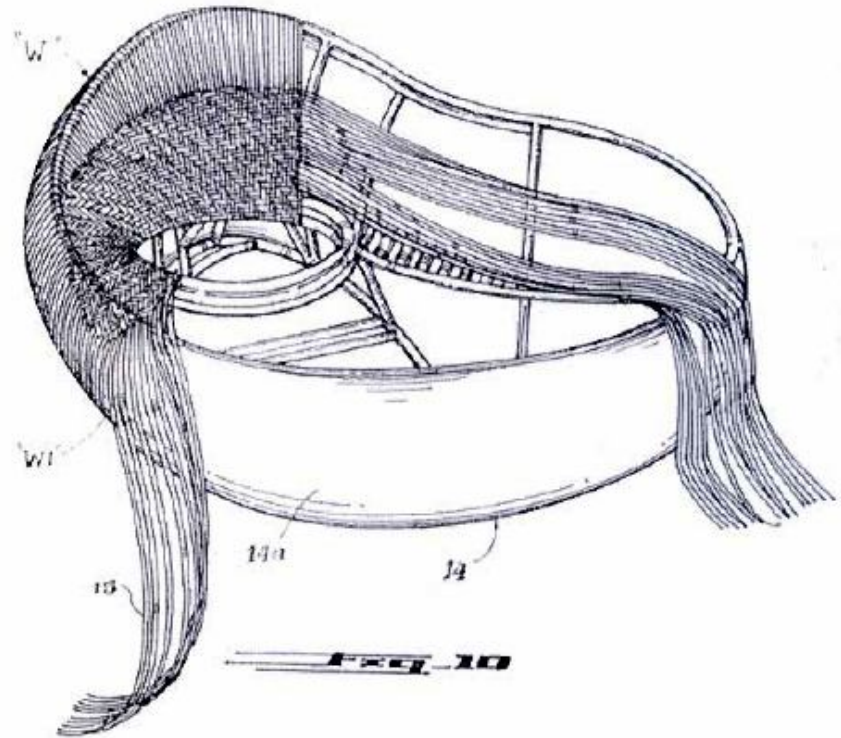
**Inventor:**  
Nicolas Thomkins  
c/o DEDON GmbH  
Marie-Curie-Strasse 1, 21337 Luneburg, Germany

**Applicant:**  
Herve Jean Paul Lampert  
c/o DEDON Manufacturing, Inc.  
Zone 7, Birds of Paradise, Riverside, Canduman  
Mandaue City, Cebu Philippines

**Filing Date:**  
February 2, 2007

**ABSTRACT OF THE DISCLOSURE:**

The present invention relates to an article of furniture comprising a furniture body being internally supported by a plurality of interconnected frame members defining spaced portions formed between said frame members, a rigid casing member being provided to partially cover said furniture body, said rigid casing member being secured to said frame members and protruding over said frame members and said spaced portions, said casing members defining partially, the profile, contour and external shape of said furniture body in a manner that is independent and different from the profile, contour and shape initially defined by said frame members and spaced portions, means to secure said casing member to said frame members, at least a first weaving work being provided over and secured to the external surface of said casing member to cover and define the outer texture to said casing member;; and a second weaving work being provided over frame members and spaced portions which are exposed and not covered by said casing member.



**International Application Number:**  
PCT/PH2008/000007

**Title:**  
**Mobile Concrete Batching Plant**

**Inventor:**  
Johnson Lee Ng  
#8 Camila Drive Ladislawa  
Buhanging, Davao City, Philippines

**Applicant:**  
Johnson Lee Ng  
#8 Camila Drive Ladislawa  
Buhanging, Davao City, Philippines

**Filing Date:**  
July 04, 2008

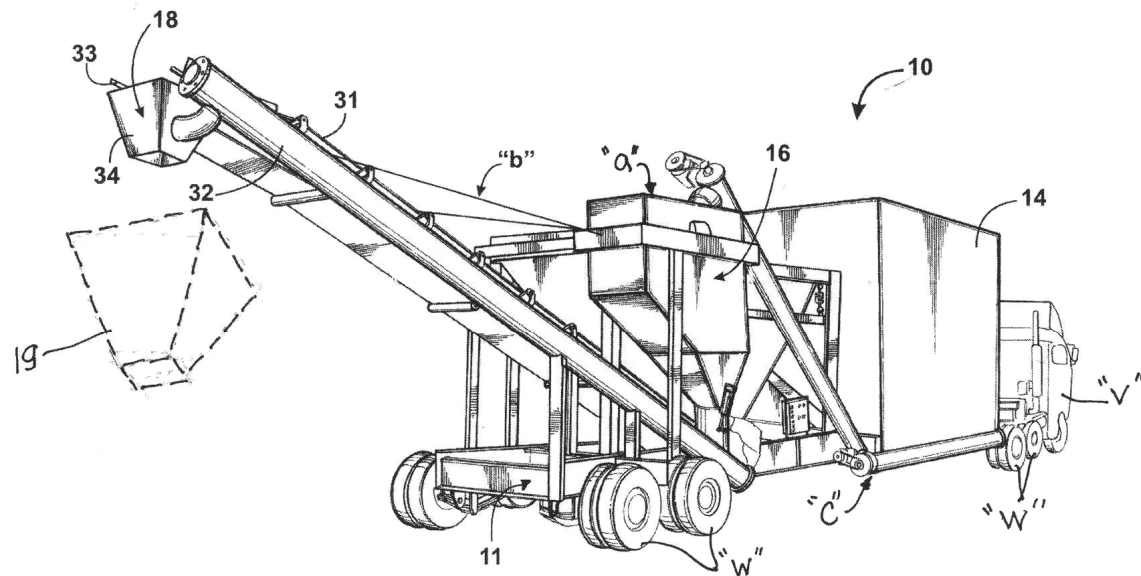


FIG. 1

**ABSTRACT OF THE DISCLOSURE:**

The present invention relates to a mobile concrete batching plant comprising a main frame supporting assembly being detachably connected to a transport means; a water tank being supported at the lower rearward portion of said main frame supporting assembly, a cement silo being supported at the upper rearward portion of the said main frame supporting assembly and spacedly disposed on top of said water tank, a cement weigh batcher and a suspended aggregate weigh batcher being supported at the forward portion of said main frame supporting assembly, means to convey cement material from said cement silo into said cement weigh batcher, weight controlling means being operationally connected to said cement weigh batcher and said aggregate weigh batcher, and distribution means to convey and batched feed cement materials, aggregates and water to a material mixing means to constitute a proportionate concrete mix.

**Invention Application Number:**

1-2003-000566

**Title:**

A Method and System for Controlling, Navigating, and Managing Data Files, Urls and Other File System Objects Using Code-Based Comands, In a Computer System or an Appliance Enhanced By A Computer System.

**Inventor:**

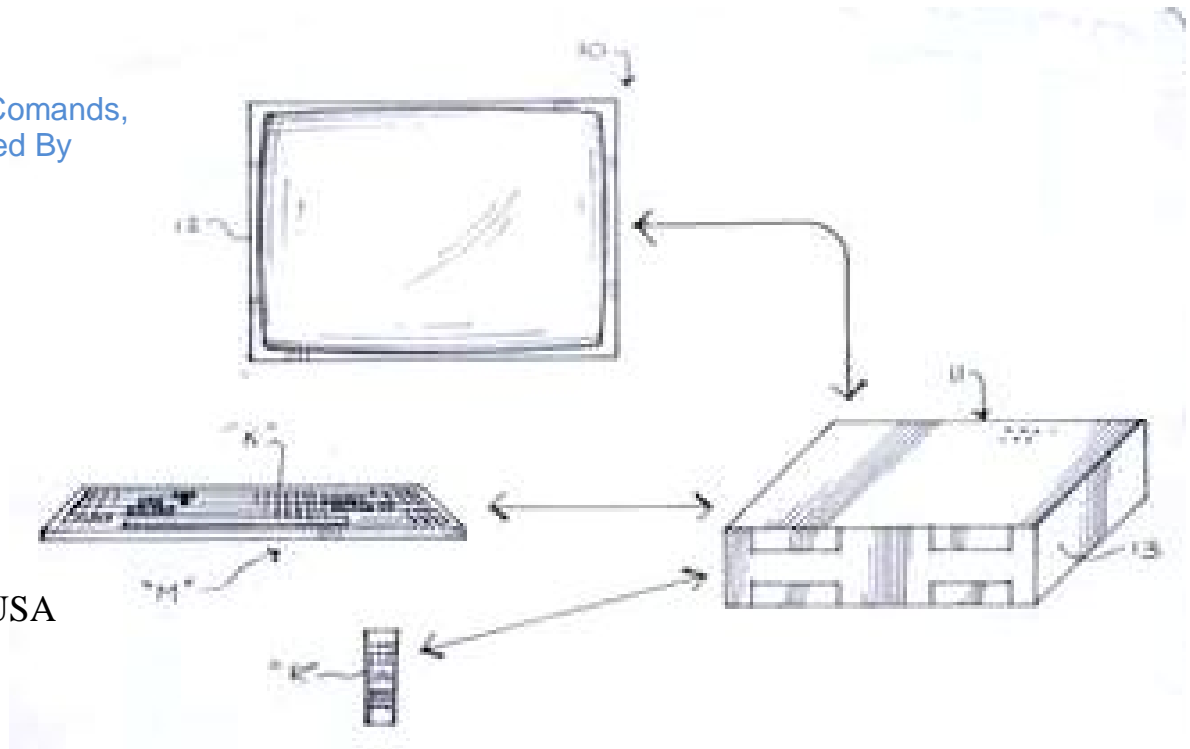
A5TEK Corporation  
No. 7, Geson Bldg.,  
D. Jakosalem Street, Cebu City, Philippines

**Applicant:**

Ted Y. Lee  
c/o A5TEK Corporation  
1398 Borregas Ave., Sunnyvale CA 94089, USA

**Filing Date:**

December 9, 2003



**ABSTRACT OF THE DISCLOSURE:**

The present invention relates to a method and a system for controlling, navigating and managing data files, URL's and other file system objects using code-based commands in a computer system or an appliance enhanced by a computer system. The method and system operates under the control of an application system installed in the computer. Particularly, the computer system utilizes a Recursive Numbering Menu System installed in the computer. Particularly, the computer system utilizes a Recursive Numbering Menu System that simplifies and reduces the navigating process to merely pressing codes or preferably numbers corresponding to the files or functions displayed in the menu and submenu, using a remote control, wireless keyboard or any device with keypads.

**Utility Model Application Number:**  
2-2006-000514

**Title:**  
A Press Fit-Connector

## A Press Fit-Connector

**Inventor:**  
Eduardo C. Alegado  
6A Tower 1, City Lights Condominium  
Nivel Hills, Lahug, Cebu City, Philippines

**Applicant:**  
Eduardo C. Alegado  
6A Tower 1, City Lights Condominium  
Nivel Hills, Lahug, Cebu City, Philippines

**Filing Date:**  
December 4, 2006

**CLAIM 1:**

A press-fit connector comprising: a male member having a substantially elongated base portion and a stem portion extending from said base portion, said base portion being provided with a channel along the surface thereof; and a female member formed by an elongated hollow body having a flexible section extending to an opening and a rigid section being provided with a channel along the surface thereof.

