

**Title:**

**Bottle**

**Phil. Industrial Design Registration Number:**

3-2000-00289

**Designer:**

Ngo Yet Te

Of Valenzuela, Metro Manila, Philippines

**Applicant:**

Ngo Yet Te

Of Valenzuela, Metro Manila, Philippines

**Filing Date:**

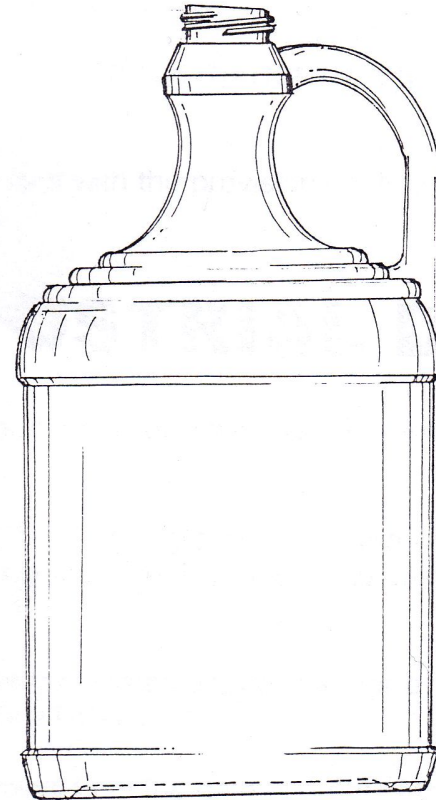
08 May 2000

**Issue Date:**

30 August 2002

**Extension of Term of Registration**

extended until 08 May 2010



**Title:**

# Water Storage Tank

**Phil. Industrial Design Registration Number:**

3-2002-000722

**Designer:**

Pacita U. Tseng  
Of Lahug, Cebu City, Philippines

**Applicant:**

GRANITE INDUSTRIAL CORPORATION  
Of Lahug, Cebu City, Philippines

**Filing Date:**

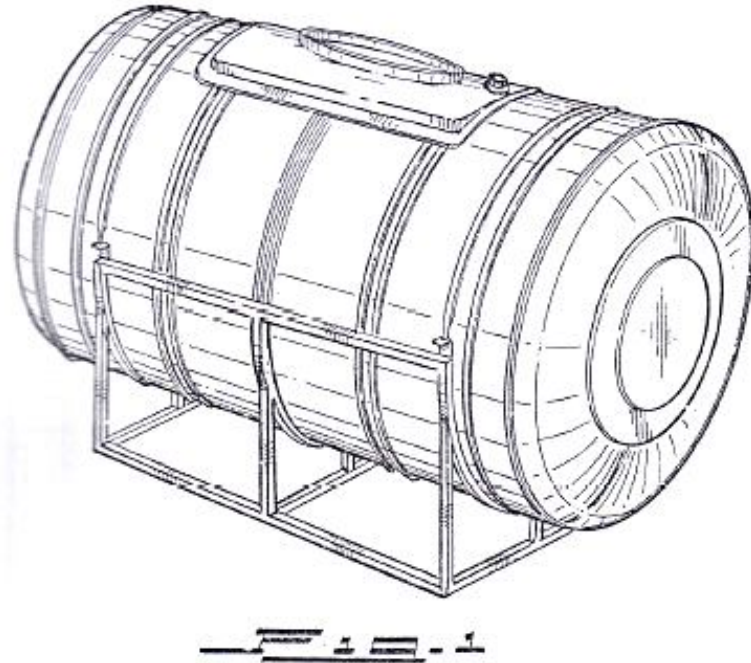
04 December 2002

**Issue Date:**

09 February 2004

**Extension of Term of Registration**

extended until 04 December 2012



**Title:**

# Packing Sheet For Confectionery (O!KARTO)

**Phil. Industrial Design Registration Number:**

3-2006-000374

**Designer:**

Hwa-Kyung Lee  
Of Seoul, Republic of Korea

**Applicant:**

Orion Corporation  
Of Seoul, Republic of Korea

**Filing Date:**

25 May 2006

**Issue Date:**

25 June 2007



**Title:**

# A Decorative Framework For Lampshades, Light Diffusers Or The Like

**Utility Model Registration Number:**

2-2004-000336

**Maker:**

Joan S. Wang  
Of Mandaue City, Cebu, Philippines

**Applicant:**

Catalina Embroideries, Inc.  
Of Mandaue City, Cebu, Philippines

**Filing Date:**

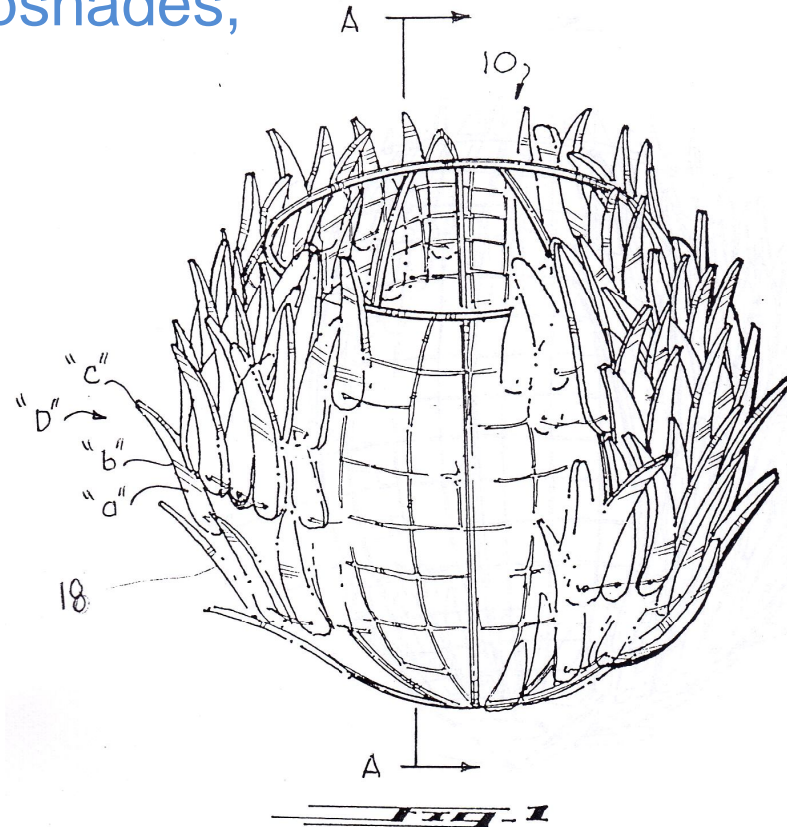
06 August 2004

**Issue Date:**

12 March 2007

**Claim:**

A decorative framework for lampshades, light diffusers or the like comprising: a skeletal structure defined by a network of interconnected framing members forming a mesh; a plurality of decorative members being secured to said framing members to cover said skeletal structure, each of said decorative members being formed by an elongated unitary body defined by tapered sides and beveled tips, said unitary body having a hole provided on at least one surface portion thereof, said body being made of indigenous material; and fastening means being provided to secure said decorative member to said framing member through said hole of said decorative member.



**Title:**

# A Miniature Fire Fighting Vehicle and Equipment

**Utility Model Registration Number:**

2-2005-000121

**Maker:**

Mario Abellana King  
Of Mandaue City, Cebu, Philippines

**Applicant:**

Nito's Auto Supply, Inc.  
Of Mandaue City, Cebu, Philippines

**Filing Date:**

22 March 2005

**Issue Date:**

04 December 2006

**Claim:**

A miniature fire-fighting vehicle and equipment comprising: a vehicle chassis; an operator enclosure provided at the front portion of said vehicle chassis; a fire fighting unit structure sized for installation at the rear portion of said vehicle chassis, said fire fighting unit structure comprising a compartment structure and a mounting means provided at the central upper portion of said compartment structure, said compartment structure being defined by a generally rectangular body having a front and rear wall, said rear wall having an opening, an open central upper portion and a pair of opposed side compartments; closure means being provided on said side compartments; a water tank being mounted and secured on said mounting means; and a pump and water control valves being provided the rear of said compartment structure and further connected to said water tank through the opening on said rear wall.

